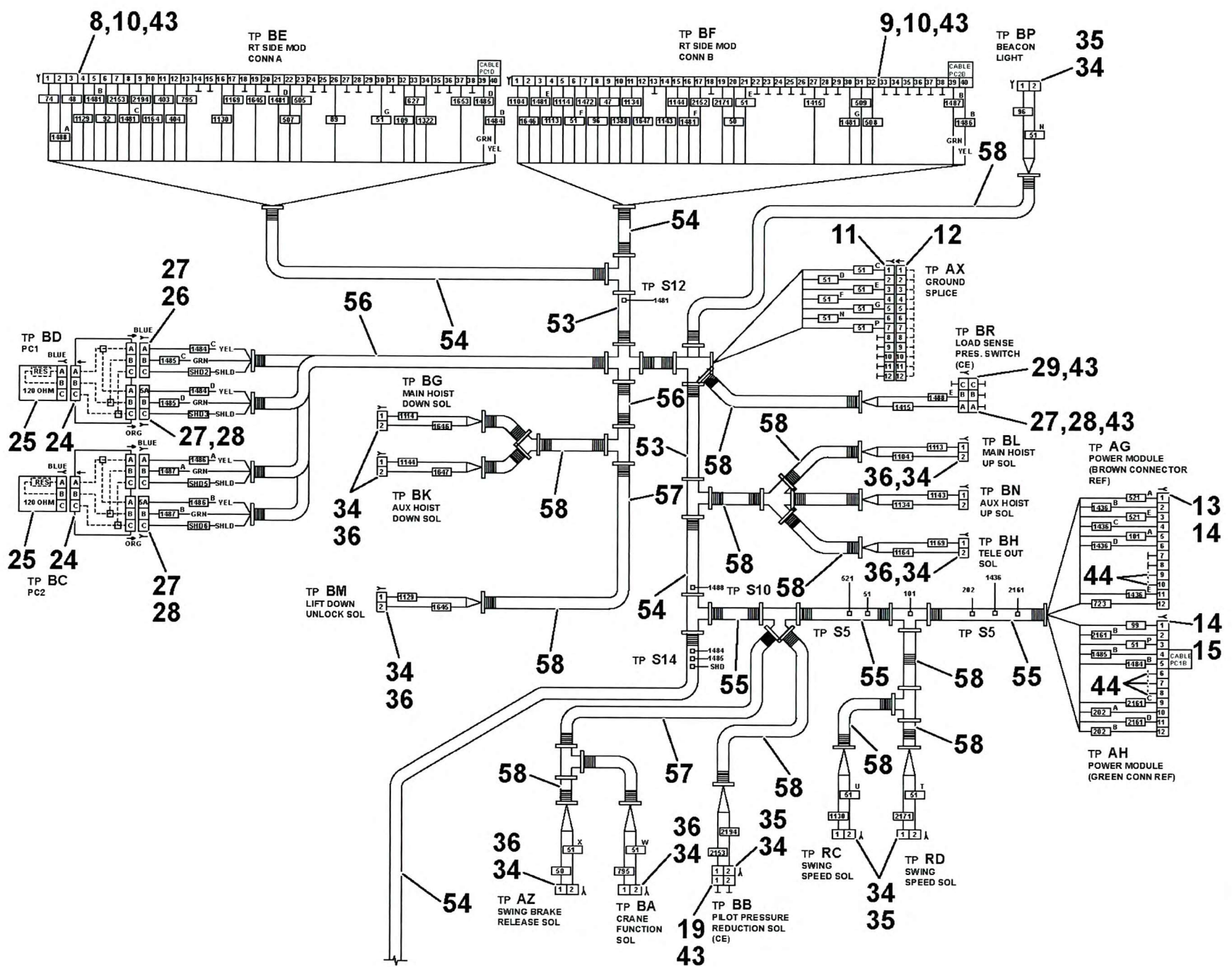


(SHEET 2 OF 7)



ITEM NOT SHOWN NBR 20,38,39,40,45,46,50 60,61,65,66,67